

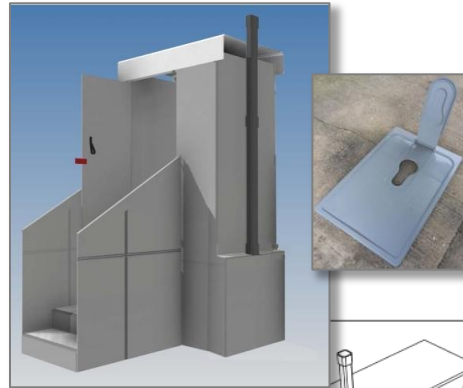
TTANKER raised VIP tanked latrines

AirCell's unique honeycomb plastic panelling system is combined with a substructure holding a vented 800 litre rubber tank to produce an effective toilet in high water table and hard-ground environments, as now found in so many worldwide aid scenarios

The flatpack kit comes complete with steps, platform, sub-frame, capped tank and vent .

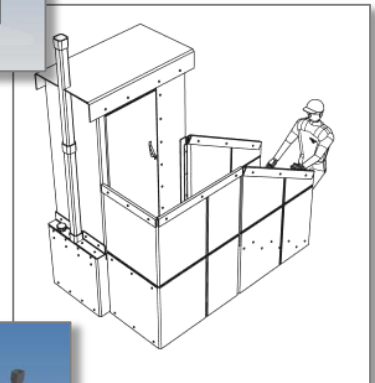
TTANKER Solo

single side stepped unit



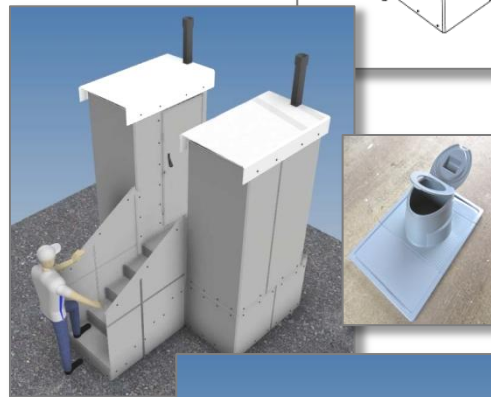
TTANKER Mono

single stepped and platform unit

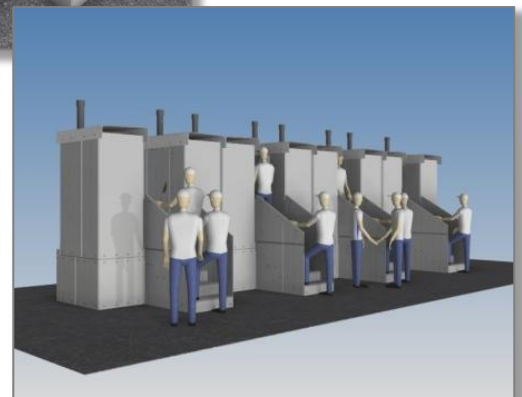


TTanker Duo

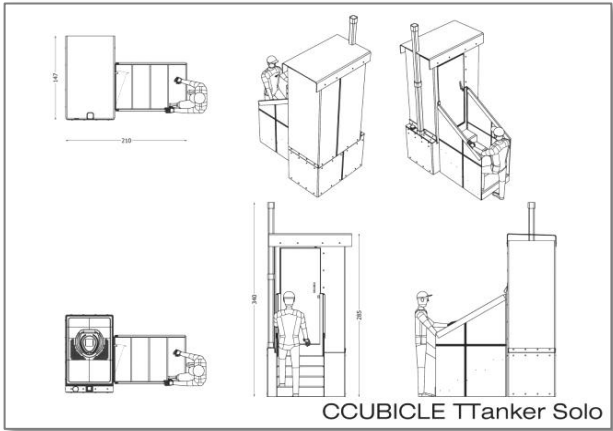
double unit sharing steps & platform



- ✓ Side steps provide stable base for single unit
- ✓ Easy assembly, similar to CCubicle latrines
- ✓ No metalwork – imprinted hinges & panel-folds
- ✓ No tools required – all finger nuts & bolts
- ✓ Internal floor with cut-out to suit different plates
- ✓ Red turn privacy indicator/lock
- ✓ Self-closing door
- ✓ Translucent sloping roof
- ✓ Fire-resistant & rot-proof material
- ✓ 800 litre rubber sludge tank
- ✓ Screw-cap hose access
- ✓ Vent pipe reduces odour and insect infestation
- ✓ Modular fit for AirCell PPitStop SSQ & SSO plates

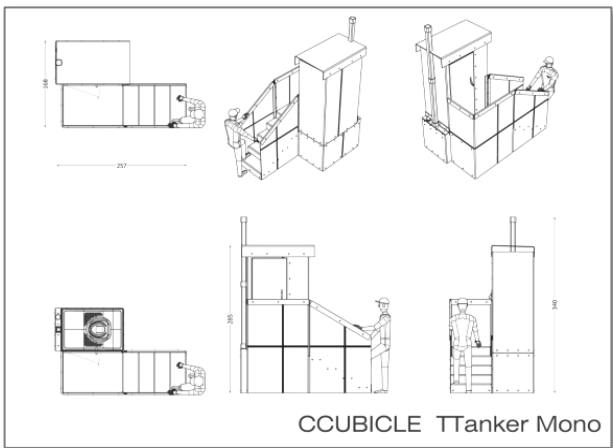


TTANKERS details & specification



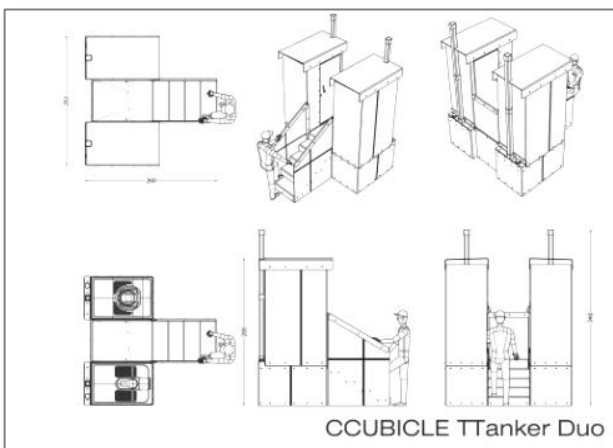
TTANKER Solo side step

- Dimensions: 210 x 147 x 285 cms built
- Weight: 70 kgs nett
- Packing: 1 per 100 x 200 x 35 cms carton
- 2 men assemble in 90 minutes
- Thermo-bonded tri-lam polypropylene
- Nylon finger knurl nuts & bolts
- Pre-drilled fixing holes – no tools needed
- Fabric door pulls
- Accepts AirCell PPitstop latrine plates



TTANKER Mono inline step

- Dimensions: 260 x 168 x 285 cms built
- Weight: 80 kgs nett
- Packing: 1 per 100 x 200 x 45 cms carton
- 2 men assemble in 120 minutes
- Thermo-bonded tri-lam polypropylene
- Nylon finger knurl nuts & bolts
- Pre-drilled fixing holes – no tools needed
- Fabric door pulls
- Accepts AirCell PPitstop latrine plates



TTanker Duo shared step

- Dimensions: 260 x 251 x 285 cms built
- Weight: 145 kgs nett
- Packing: 1 in 2 of 100 x 200 x 45 cms cartons
- 2 men assemble in 180 minutes
- Thermo-bonded tri-lam polypropylene
- Nylon finger knurl nuts & bolts
- Pre-drilled fixing holes – no tools needed
- Fabric door pulls
- Single door & central passage partition
- Accepts AirCell PPitstop shower plates

download this Product Sheet or the Products Review as pdf files on www.aircellstructures.com and email us at office@aircellstructures.com